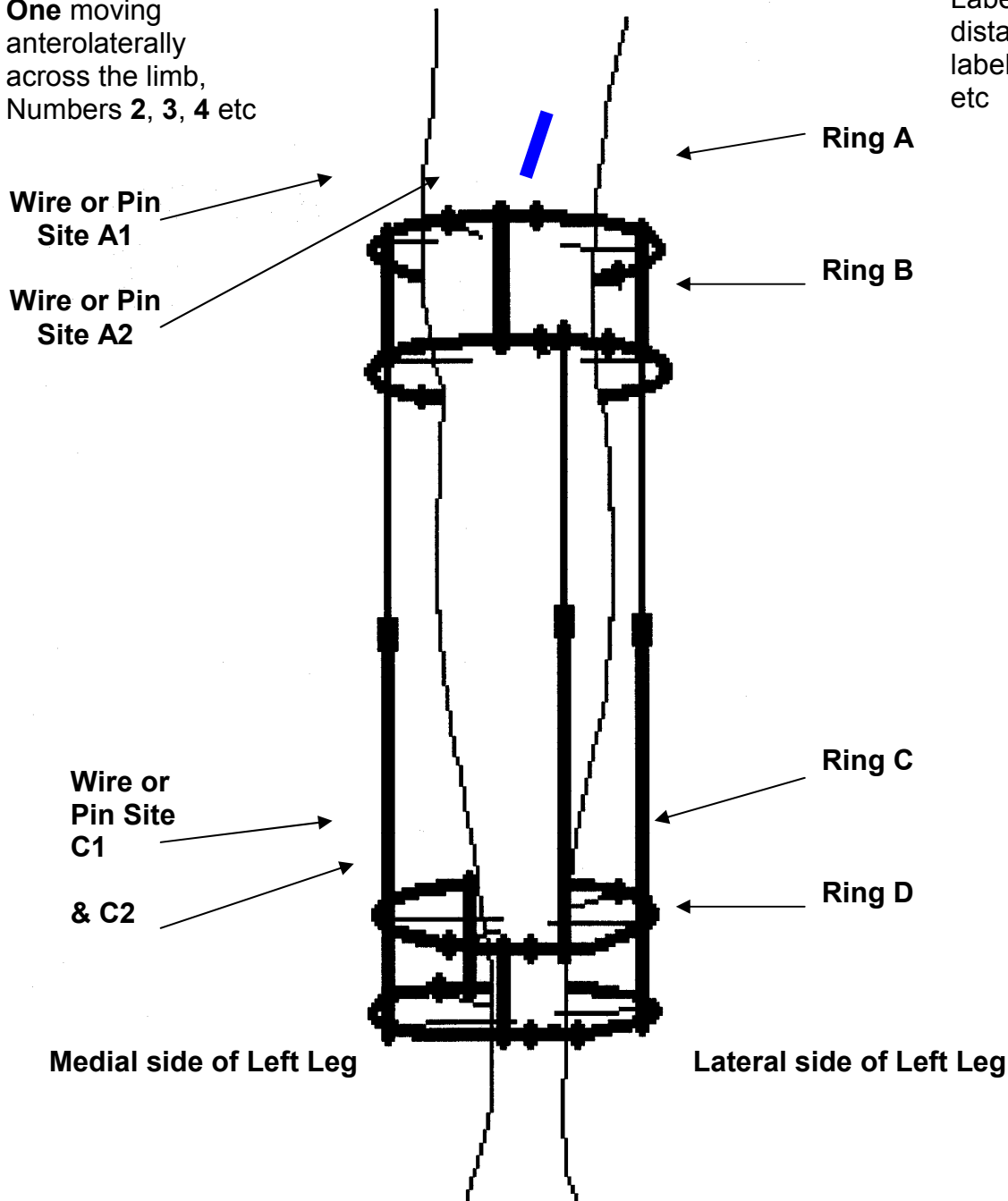


**MON (Maz Oxford Nuffield) Pin Site Labelling System ©**

Most Medial Pin Site is Labelled **Number One** moving anterolaterally across the limb, Numbers **2, 3, 4** etc

Most Proximal Ring is Labelled **RING A**, moving distally down the limb, labelling the Rings **B, C, D** etc



The thicker Half Pins (HP) are labelled in exactly the same way according to which Ring they are located, Half Pin A, B, C, D etc.

Numbers are not used as there may be more than one HP on the same ring.

In the diagram a Half Pin is shown as the **Blue Pin**.

It is labelled as **Half Pin Ring A** or **HP A**

